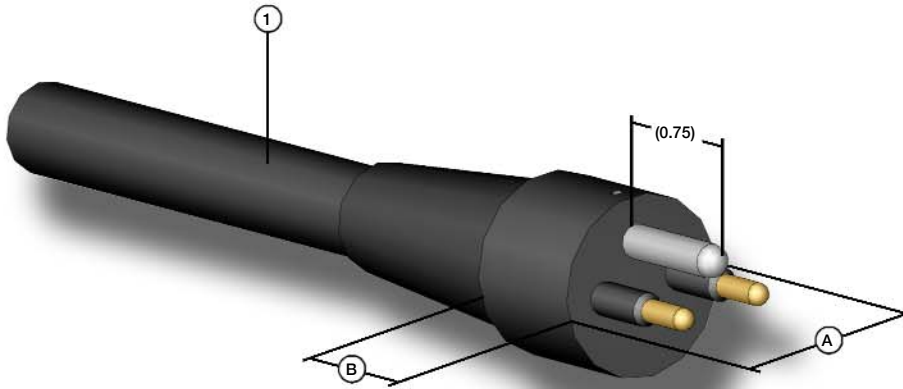


# DIMENSION DETAILS

## ALL-WET SERIES AW-MP

ALL-WET Round In-Line Connector  
Mates with AW-FS and AW-S-BC  
Dummy Connector: AW-FSD



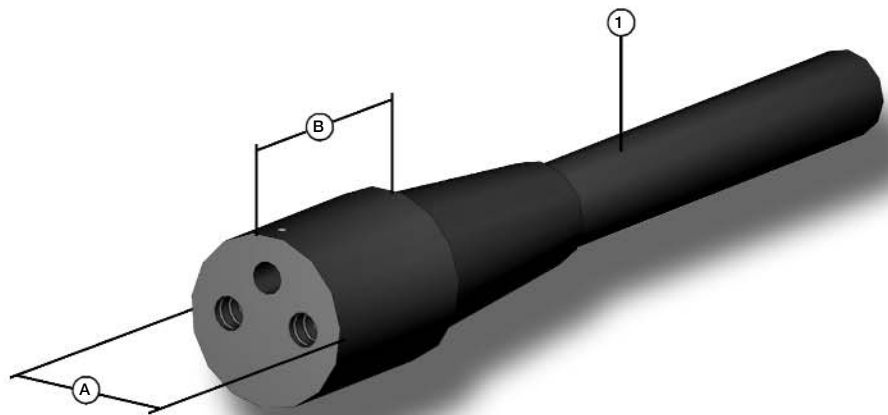
CONNECTOR	A - DIAMETER (INCHES)	B - (INCHES)	1 - STANDARD CABLE
AWL-MP	1.00	0.78	18 AWG SO
AWM-MP	1.25	0.78	18 AWG SO
AWO-MP	1.60	0.78	18 AWG SO

### NOTES:

- Locking Sleeve: Optional (see page 14).
- Dummy Connector: Optional.
- Dummy Shorting Plug Connector: Optional.
- Connectors must be lubricated prior to mating.

## ALL-WET SERIES AW-FS

ALL-WET Round In-Line Connector  
Mates with AW-MP and AW-P-BC  
Dummy Connector: AW-MPD



CONNECTOR	A - DIAMETER (INCHES)	B - (INCHES)	1 - STANDARD CABLE
AWL-FS	1.00	1.16	18 AWG SO
AWM-FS	1.25	1.16	18 AWG SO
AWO-FS	1.60	1.16	18 AWG SO