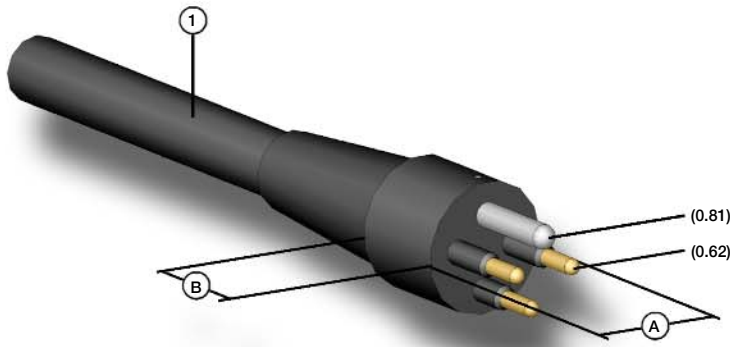


DIMENSION DETAILS



ALL-WET SERIES AW-MP w/G

ALL-WET Round with Ground In-Line Connector
Mates with AW-FS and AW-S-BC
Dummy Connector: AW-FSD

This series offers a ground pin that will make contact prior to the line pins and break contact last upon demating.

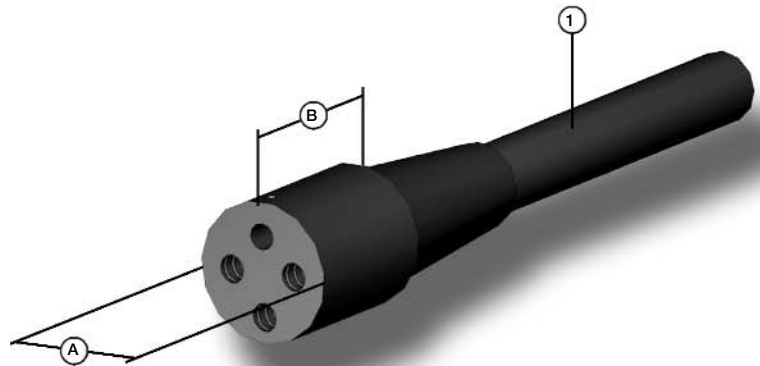
CONNECTOR	A - DIAMETER (INCHES)	B - (INCHES)	1 - STANDARD CABLE
AWL-MP	1.00	0.78	18 AWG SO
AWM-MP	1.25	0.78	18 AWG SO
AWO-MP	1.60	0.78	18 AWG SO

NOTES:

- Locking Sleeve: Optional (see page 14).
- Dummy Connector: Optional.
- Dummy Shorting Plug Connector: Optional.
- Connectors must be lubricated prior to mating.
- For Bulkhead Connectors, please contact SEA CON® for availability.
- AWO-15 w/G has one pin that makes contact last.

ALL-WET SERIES AW-FS w/G

ALL-WET Round with Ground In-Line Connector
Mates with AW-MP and AW-P-BC
Dummy Connector: AW-MPD



CONNECTOR	A - DIAMETER (INCHES)	B - (INCHES)	1 - STANDARD CABLE
AWL-FS	1.00	1.16	18 AWG SO
AWM-FS	1.25	1.16	18 AWG SO
AWO-FS	1.60	1.16	18 AWG SO

STANDARD IN-LINE w/GROUND COLOR CODE

AWL-2 w/G-MP/FS

CONTACT #	COLOR
1	WHITE
2	BLACK
G	GREEN

AWL-3 w/G-MP/FS AWM-3 w/G-MP/FS

CONTACT #	COLOR
1	WHITE
2	BLACK
3	RED
G	GREEN

AWM-5 w/G-MP/FS

CONTACT #	COLOR
1	WHITE
2	BLACK
3	RED
4	ORANGE
5	BLUE
G	GREEN

AWO-15 w/G-MP/FS

CONTACT #	COLOR
1	WHITE
2	BLACK
3	RED
4	ORANGE
5	BLUE
6	WHITE/BLACK
7	RED/BLACK
8	GREEN/BLACK
9	ORANGE/BLACK
10	BLUE/BLACK
11	BLACK/WHITE
12	GREEN/WHITE
13	RED/WHITE
14	BLUE/WHITE
15	BLACK/RED
G	GREEN