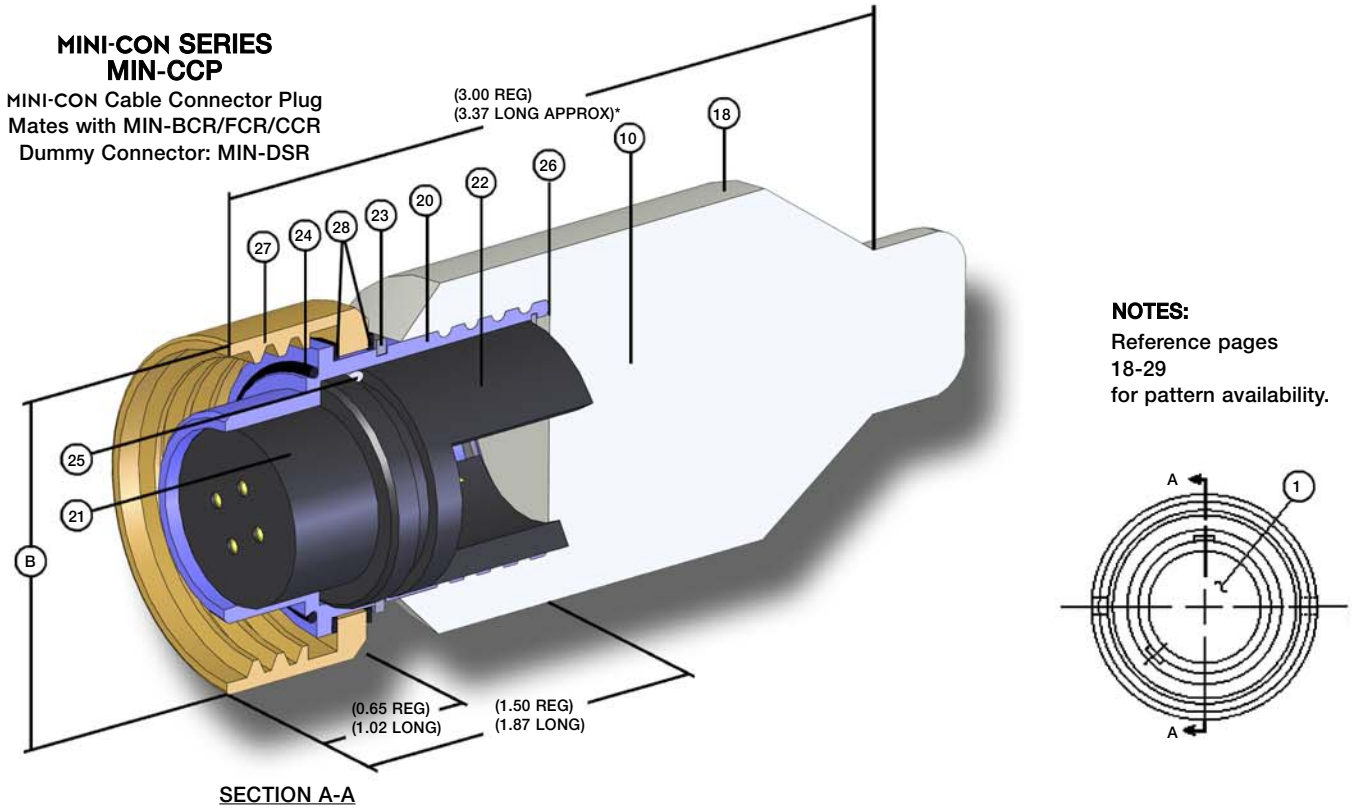


DIMENSION DETAILS



When ordering MIN-CCP you receive: 20, 21, 22, 23, 24, 25, 26, 27, 28

NOTE:

Please refer to the MINI-CON master parts and materials list on page 17.

CONNECTOR	B - DIAMETER (INCHES)	24 - O-RING	23 - RETAINING RING	25 - O-RING	26 - SPIROLOX	R/A HEIGHT (INCHES)	REAR SHELL OD (INCHES)
MIND-CCP	0.75	2-012	D1400-0120	2-010	VH-37	TBA	TBA
MINE-CCP	0.87	2-014	D1400-0150	2-012	UR-50	TBA	TBA
MING-CCP	1.00	2-015	5100-68	2-013	UR56	2.63/3.00	0.687
MINK-CCP	1.12	2-017	5100-78	2-015	UR68	2.63/3.00	0.781
MINL-CCP	1.25	2-019	5100-87	2-016	UR75	2.63/3.00	0.875
MINM-CCP	1.37	2-020	5100-100	2-018	UR87	2.81/3.18	1.000
MINO-CCP	1.62	2-024	5100-118	2-020	UR100	2.81/3.18	1.187
MINP-CCP	1.75	2-027	5100-131	2-022	UR112	3.00/3.37	1.312
MINQ-CCP	1.87	2-028	5100-150	2-025	UR131	3.00/3.37	1.500
MINR-CCP	2.00	2-029	5100-156	2-026	UR137	3.19/3.56	1.562
MINT-CCP	2.50	2-032	5100-187	2-029	UR162	varies w/cable	1.875
MINU-CCP	2.75	2-033	5100-206	2-023	UR187	varies w/cable	2.062
MINX-CCP	3.50	2-038	5100-268	2-033	UR212	varies w/cable	2.687

* Will vary with cable size.