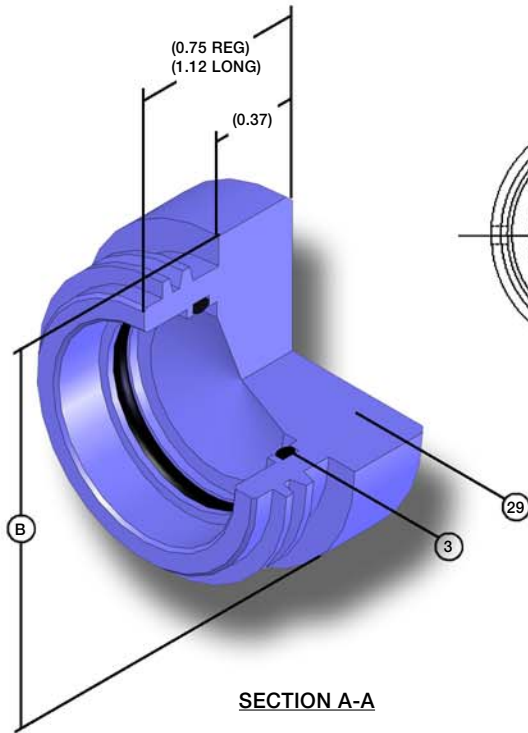


DIMENSION DETAILS



SECTION A-A

When ordering MIN-DSR you receive: 3, 29

When ordering MIN-DSRL you receive: 3, 29

**MINI-CON SERIES
MIN-DSR**
MINI-CON Dummy Sealing Receptacle
Mates with MIN-CCP

MIN-DSRL (LONG)
MINI-CON Dummy Sealing Receptacle
Mates with MIN-CCPL

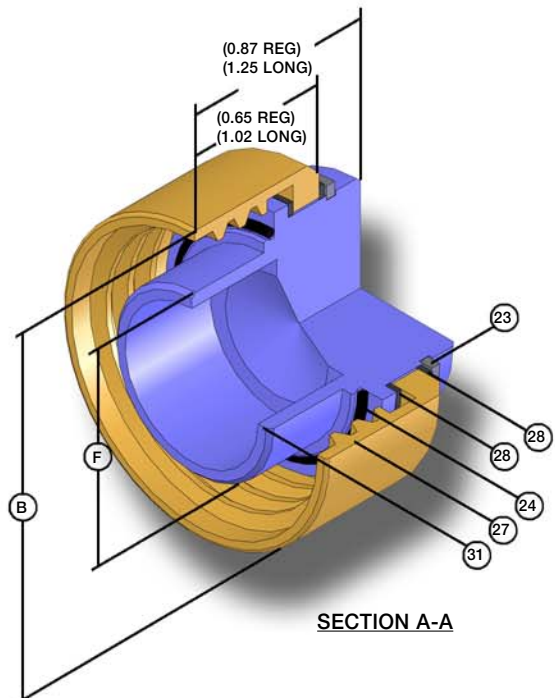
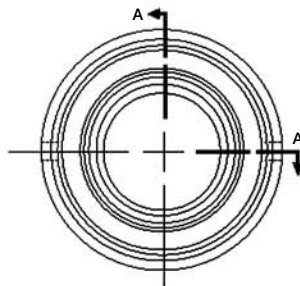
DUMMY CONNECTOR	B - DIAMETER (INCHES)	3 - O-RING
MIND-DSR (DSRL)	0.75	2-011
MINE-DSR (DSRL)	0.87	2-013
MING-DSR (DSRL)	1.00	2-014
MINK-DSR (DSRL)	1.12	2-016
MINL-DSR (DSRL)	1.25	2-018
MINM-DSR (DSRL)	1.37	2-019
MINO-DSR (DSRL)	1.62	2-023
MINP-DSR (DSRL)	1.75	2-025
MINQ-DSR (DSRL)	1.87	2-028
MINR-DSR (DSRL)	2.00	2-029
MINT-DSR (DSRL)	2.50	2-031
MINU-DSR (DSRL)	2.75	2-033
MINX-DSR (DSRL)	3.50	2-037

MINI-CON SERIES MIN-DSP

MINI-CON Dummy Sealing Plug
Mates with MIN-BCR/FCR/CCR

MIN-DSPL (LONG)

MINI-CON Dummy Sealing Plug
Mates with MIN-BCRL/FCRL/CCRL



SECTION A-A

When ordering MING-DSP you receive: 23, 24, 27, 28, 31

When ordering MING-DSPL you receive: 23, 24, 27, 28, 31

DUMMY CONNECTOR	B - DIAMETER (INCHES)	24 - O-RING	23 - RETAINING RING
MIND-DSP (DSPL)	0.75	2-012	5100-46
MINE-DSP (DSPL)	0.87	2-014	5100-59
MING-DSP (DSPL)	1.00	2-015	5100-68
MINK-DSP (DSPL)	1.12	2-017	5100-78
MINL-DSP (DSPL)	1.25	2-019	5100-87
MINM-DSP (DSPL)	1.37	2-020	5100-100
MINO-DSP (DSPL)	1.62	2-024	5100-118
MINP-DSP (DSPL)	1.75	2-027	5100-131
MINQ-DSP (DSPL)	1.87	2-028	5100-150
MINR-DSP (DSPL)	2.00	2-029	5100-156
MINT-DSP (DSPL)	2.50	2-032	5100-187
MINU-DSP (DSPL)	2.75	2-033	5100-206
MINX-DSP (DSPL)	3.50	2-038	5100-268