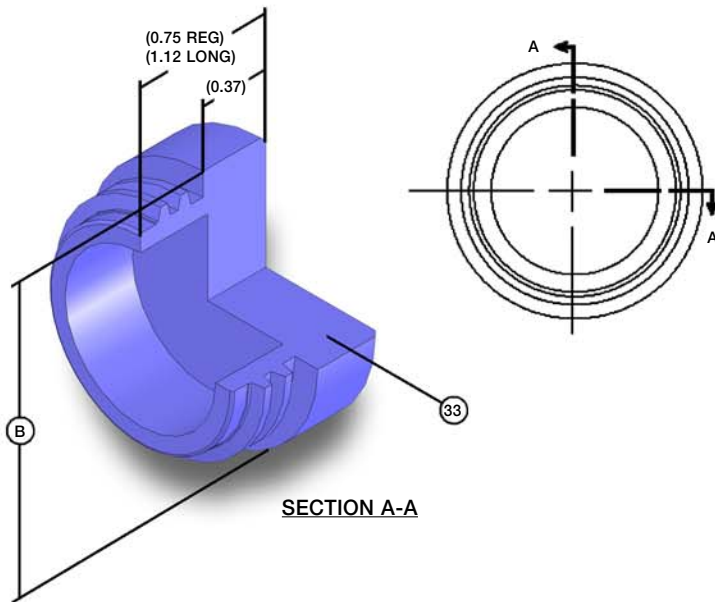


DIMENSION DETAILS



**MINI-CON SERIES
MIN-PSR**
MINI-CON Plastic Splashproof Receptacle
Mates with MIN-CCP

MIN-PSRL (LONG)
MINI-CON Plastic Splashproof Receptacle
Mates with MIN-CCPL

SPLASHPROOF DUMMY	B - DIAMETER (INCHES)
MIND-PSR (PSRL)	0.75
MINE-PSR (PSRL)	0.87
MING-PSR (PSRL)	1.00
MINK-PSR (PSRL)	1.12
MINL-PSR (PSRL)	1.25
MINM-PSR (PSRL)	1.37
MINO-PSR (PSRL)	1.62
MINP-PSR (PSRL)	1.75
MINQ-PSR (PSRL)	1.87
MINR-PSR (PSRL)	2.00
MINT-PSR (PSRL)	2.50
MINU-PSR (PSRL)	2.75
MINX-PSR (PSRL)	3.50

When ordering MIN-PSR you receive: 33

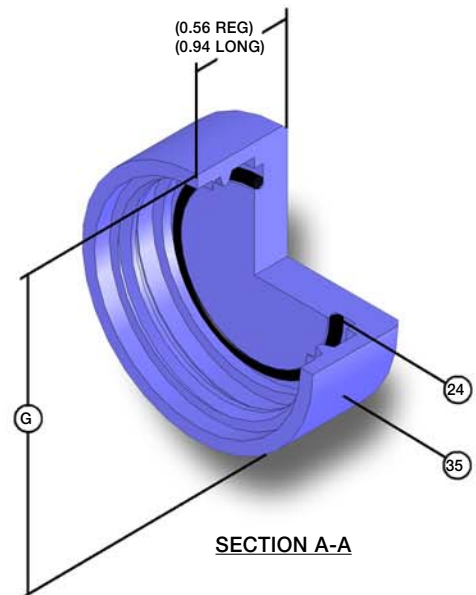
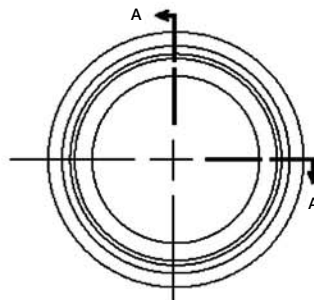
When ordering MIN-PSRL you receive: 33

MINI-CON SERIES MIN-PSP

MINI-CON Plastic Splashproof Plug
Mates with MIN-BCR/FCR/CCR

MIN-PSPL (LONG)

MINI-CON Plastic Splashproof Plug
Mates with MIN-BCR/FCRL/CCRL



SPLASHPROOF DUMMY	B - DIAMETER (INCHES)	24 - O-RING
MIND-PSP (PSPL)	0.81	2-012
MINE-PSP (PSPL)	0.93	2-014
MING-PSP (PSPL)	1.06	2-015
MINK-PSP (PSPL)	1.20	2-017
MINL-PSP (PSPL)	1.31	2-019
MINM-PSP (PSPL)	1.44	2-020
MINO-PSP (PSPL)	1.68	2-024
MINP-PSP (PSPL)	1.81	2-027
MINQ-PSP (PSPL)	1.94	2-028
MINR-PSP (PSPL)	2.12	2-029
MINT-PSP (PSPL)	2.62	2-032
MINU-PSP (PSPL)	2.87	2-033
MINX-PSP (PSPL)	3.62	2-038

When ordering MIN-PSP or MIN-PSPL you receive: 24, 35