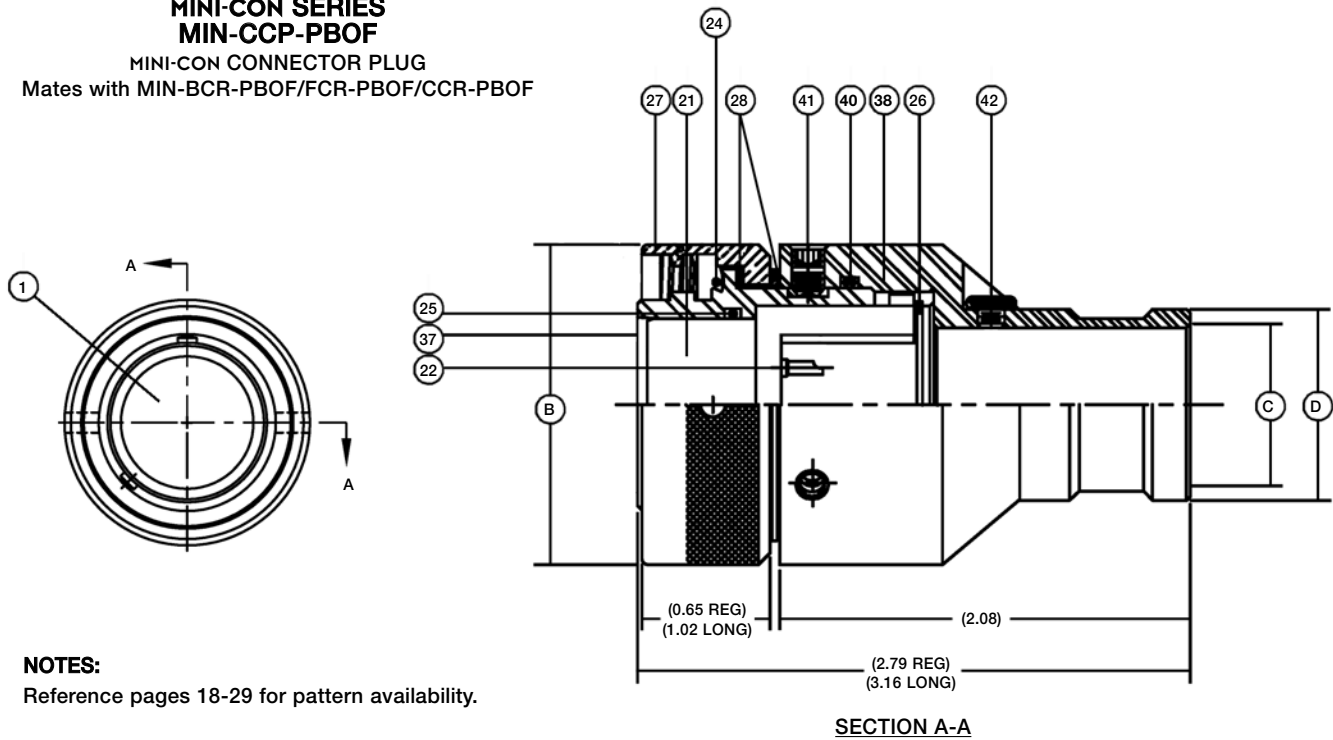


# DIMENSION DETAILS

## MINI-CON SERIES MIN-CCP-PBOF

MINI-CON CONNECTOR PLUG

Mates with MIN-BCR-PBOF/FCR-PBOF/CCR-PBOF



**NOTES:**

Reference pages 18-29 for pattern availability.

When ordering MIN-CCP-PBOF you receive: 21, 22, 24, 25, 26, 27, 28, 37, 38, 39, 40, 41, 42

**NOTE:**

Please refer to the MINI-CON master parts and materials list on page 17.

PART	B - INCHES	C - INCHES	D - INCHES	24 - O-RING	25 - O-RING	26 - SPIROLOX	40 - O-RING	RECOMMENDED TUBE I.D. SIZE
MIN-CCP-PBOF	NOT AVAILABLE							
MINE-CCP-PBOF	NOT AVAILABLE							
MING-CCP-PBOF	1.00	0.50	0.62	2-015	2-013	UR56	2-017	0.50
MINK-CCP-PBOF	1.12	0.50	0.62	2-017	2-015	UR68	2-116	0.50
MINL-CCP-PBOF	1.25	0.56	0.75	2-019	2-016	UR75	2-020	0.63
MINM-CCP-PBOF	1.37	0.56	0.75	2-020	2-018	UR87	2-022	0.63
MINO-CCP-PBOF	1.62	0.94	1.12	2-024	2-020	UR100	2-025	1.00
MINP-CCP-PBOF	1.75	0.94	1.12	2-027	2-022	UR112	2-027	1.00
MINQ-CCP-PBOF	1.87	1.06	1.25	2-028	2-025	UR131	2-029	1.13
MINR-CCP-PBOF	2.00	1.06	1.25	2-029	2-026	UR137	5-009	1.13