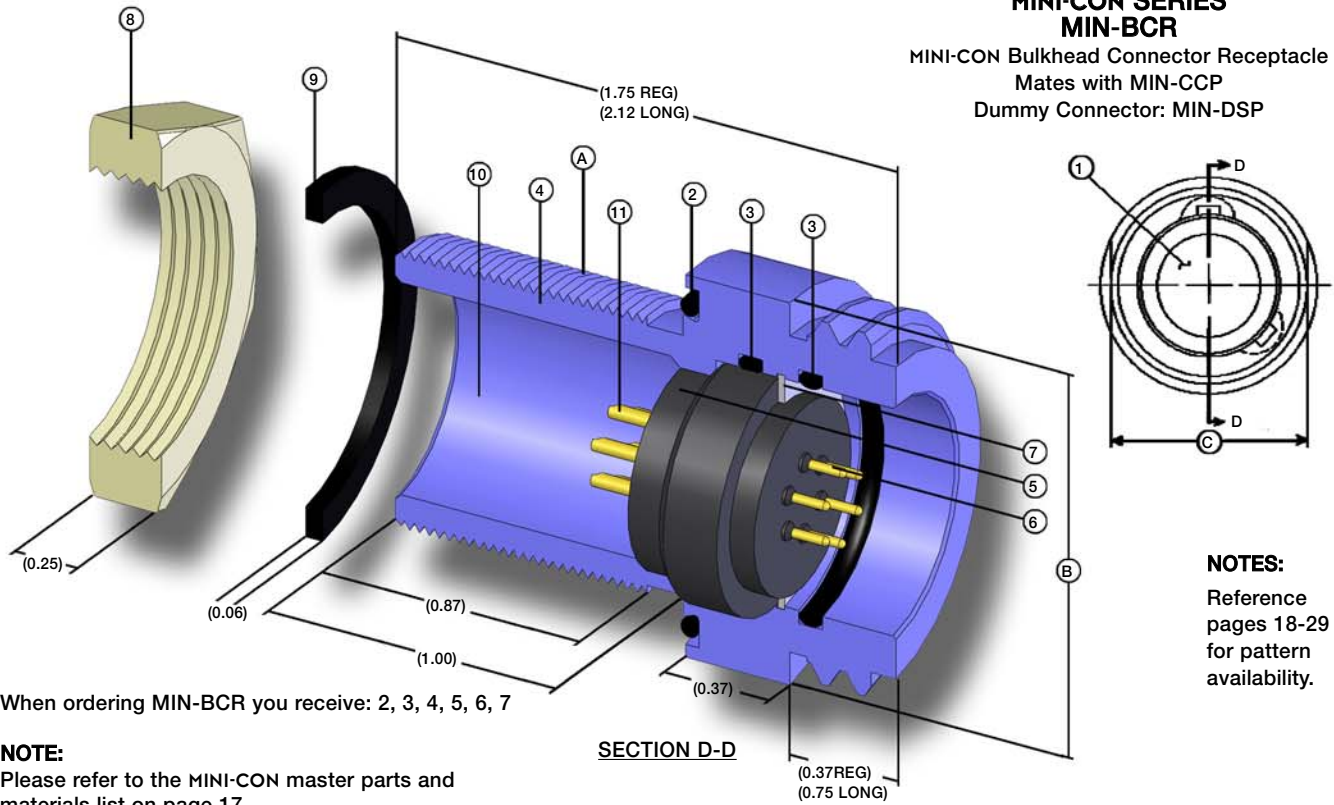


# DIMENSION DETAILS

## MINI-CON SERIES MIN-BCR

MINI-CON Bulkhead Connector Receptacle  
Mates with MIN-CCP  
Dummy Connector: MIN-DSP



**NOTES:**  
Reference pages 18-29 for pattern availability.

When ordering MIN-BCR you receive: 2, 3, 4, 5, 6, 7

**NOTE:**  
Please refer to the MINI-CON master parts and materials list on page 17.

CONNECTOR	A - MOUNTING THREAD	B - DIAMETER (INCHES)	2 - O-RING	7 - SPIROLOX	3 - O-RING	C - WRENCH FLATS (INCHES)	8 - HEX NUT ACROSS FLATS (INCHES)	8 - HEX NUT ACROSS POINTS (INCHES)	9 - WASHER OD (INCHES)
MIND-BCR	3/8-24 UNF-2A	0.75	2-013	VH-31	2-011	0.62	0.62	0.72	0.62
MINE-BCR	1/2-20 UNF-2A	0.87	2-015	VH-43	2-013	0.75	0.75	0.86	0.75
MING-BCR	5/8-24 UNEF-2A	1.00	2-018	UR50	2-014	0.87	0.88	1.00	0.88
MINK-BCR	3/4-20 UNEF-2A	1.12	2-019	UR62	2-016	1.00	1.00	1.16	1.00
MINL-BCR	7/8-20 UNEF-2A	1.25	2-021	UR75	2-018	1.12	1.13	1.31	1.13
MINM-BCR	1-20 UNEF-2A	1.37	2-023	UR81	2-019	1.25	1.25	1.44	1.25
MINO-BCR	1 1/8-16 UN-2A	1.62	2-026	UR106	2-023	1.50	1.50	1.75	1.50
MINP-BCR	1 1/4-16 UN-2A	1.75	2-028	UR118	2-025	1.62	1.63	1.88	1.63
MINQ-BCR	1 3/8-16 UN-2A	1.87	2-029	UR137	2-028	1.75	1.75	2.00	1.75
MINR-BCR	1 1/2-16 UN-2A	2.00	2-029	UR150	2-029	1.87	1.88	2.16	1.88
MINT-BCR	2-16 UN-2A	2.50	2-034	UR175	2-031	2.37	2.38	2.75	2.38
MINU-BCR	2 1/4-16 UN-2A	2.75	2-036	UR200	2-033	2.62	2.63	3.03	2.63
MINX-BCR	2 3/4-16 UN-2A	3.50	2-041	UR250	2-037	3.15	3.16	3.63	3.16

### BCR MOUNTING REQUIREMENTS

SIZE	BORE Ø +0.015 -0.000 (INCHES)	BCR/L * MOUNTING TORQUE (INCH-POUNDS)
D	0.375	30-35
E	0.500	50-55
G	0.625	65-85
K	0.750	75-100
L	0.875	90-110
M	1.000	120-150
O	1.125	130-160
P	1.250	140-170
Q	1.375	150-180
R	1.500	170-220
T	2.000	210-250
U	2.250	220-260
X	2.750	240-280

\* Torque specified is for dry metal threads.

### NOTES:

1. Bore must be perpendicular to spot face.
2. Spotface diameter to be equal or greater than the connector diameter.
3. If threaded mount is used, lead thread chamfer is not to exceed diameter shown in bore column.

