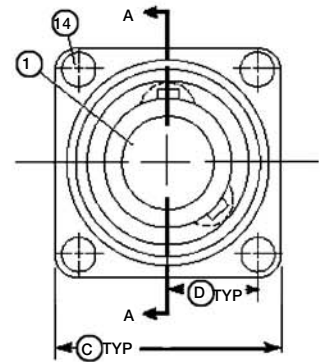
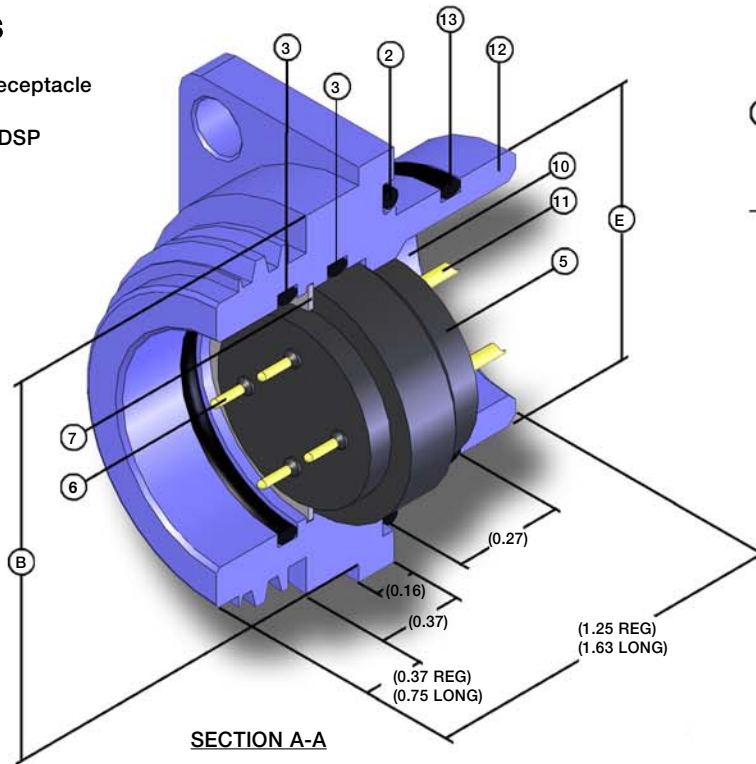


DIMENSION DETAILS

MINI-CON SERIES MIN-FCR

MINI-CON Flange Connector Receptacle
Mates with MIN-CCP
Dummy Connector: MIN-DSP



NOTE:
Please refer to the MINI-CON master parts and materials list on page 17.

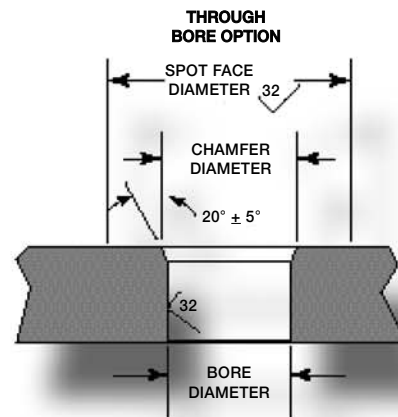
NOTES:
Reference pages 18-29 for pattern availability.

When ordering MIN-FCR you receive: 2, 3, 5, 6, 7, 12, 13

CONNECTOR	B - DIAMETER (INCHES)	C - SQUARE (INCHES)	D - MOUNTING HOLE LOCATION (INCHES)	E - DIAMETER (INCHES)	13 - O-RING	7 - SPIROLOX	2 - O-RING	SOCKET HEAD CAPSCREW	3 - O-RING
MIND-FCR	0.75	0.87	0.335	0.373	2-010	VH-31	2-013	4-40 UNC-2A	2-011
MINE-FCR	0.87	1.00	0.387	0.498	2-012	VH-43	2-015	4-40 UNC-2A	2-013
MING-FCR	1.00	1.12	0.453	0.685	2-015	UR50	2-018	4-40 UNC-2A	2-014
MINK-FCR	1.12	1.25	0.510	0.748	2-016	UR62	2-019	6-32 UNC-2A	2-016
MINL-FCR	1.25	1.37	0.562	0.873	2-018	UR75	2-021	6-32 UNC-2A	2-018
MINM-FCR	1.37	1.50	0.593	0.998	2-020	UR81	2-023	8-32 UNC-2A	2-019
MINO-FCR	1.62	1.75	0.723	1.123	2-022	UR106	2-026	8-32 UNC-2A	2-023
MINP-FCR	1.75	1.87	0.777	1.248	2-024	UR118	2-028	8-32 UNC-2A	2-025
MINQ-FCR	1.87	2.00	0.831	1.373	2-026	UR137	2-029	10-24 UNC-2A	2-028
MINR-FCR	2.00	2.12	0.884	1.498	2-028	UR150	2-029	10-24 UNC-2A	2-029
MINT-FCR	2.50	2.62	1.043	1.998	2-032	UR175	2-034	1/4-20 UNC-2A	2-031
MINU-FCR	2.75	2.87	1.130	2.248	2-034	UR200	2-036	1/4-20 UNC-2A	2-033
MINX-FCR	3.50	3.62	1.470	2.748	2-038	UR250	2-041	3/8-16 UNC-2A	2-037

FCR MOUNTING REQUIREMENTS

SIZE	BORE Ø +0.002 -0.000 (INCHES)	CHAMFER Ø ±0.010 (INCHES)	*SPOTFACE Ø +0.015 (INCHES)	**SPOTFACE Ø +0.015 (INCHES)
D	0.375	0.425	0.69	1.18
E	0.500	0.550	0.87	1.37
G	0.687	0.727	1.00	1.56
K	0.750	0.800	1.12	1.75
L	0.875	0.915	1.25	1.87
M	1.000	1.040	1.31	2.12
O	1.125	1.175	1.50	2.44
P	1.250	1.290	1.62	2.62
Q	1.375	1.425	1.81	2.81
R	1.500	1.540	1.87	3.00
T	2.000	2.050	2.50	3.75
U	2.250	2.290	2.75	4.00
X	2.750	2.800	3.31	5.06



NOTES: CHAMFER IS TO BE $20^\circ \pm 5^\circ$

* This dimension is to be used if spotface is less than or equal to 0.001 inches deep.

** This dimension is to be used if spotface is greater than 0.001 inches deep.